

Clay County Utility Authority

Approved Materials

TABLE OF CONTENTS

SEWER SECTION

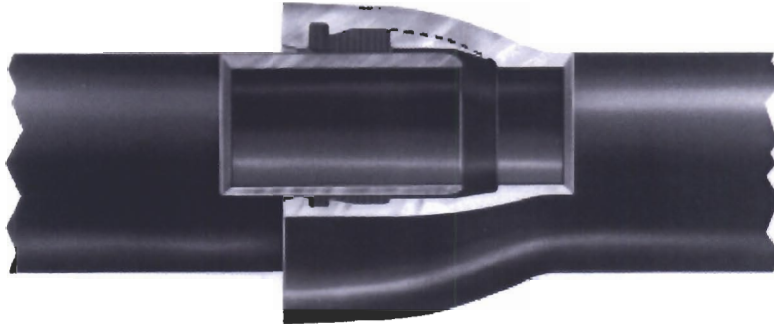
<u>PAGE:</u>	<u>DESCRIPTION:</u>
S- 1	Ductile Iron Pipe, only with prior approval
S- 2	DR18 PVC Pipe, Force Main
S- 3	Steel Casing Pipe
S- 4	SDR26 PVC Pipe, Sewer
S- 5	PVC Pipe (3" and smaller)
S- 6	Wide Range Coupling
S- 7	Stainless Steel Tapping Sleeve, pressure only, 4" and larger
S- 8	Cast Iron Valve Box and Cover
S- 9	Ductile Iron Pipe Retainer Gland
S-10	Joint Restraining Devices
S-11	Mechanical Joint Accessory Pack
S-12	Mechanical Joint Fasteners
S-13	Flange Adaptor
S-14	Resilient Seated Gate Valve
S-15	Intentionally Left Blank-Reserved for future use
S-16	Plug Valve
S-17	Check Valve, above ground
S-18	Ball Check Valve, below ground
S-19	Tapping Sleeve, pressure only, Stainless Steel, 2" Only
S-20	SCH80 Solvent Weld Fittings
S-21	Casing Spacer
S-22	Casing Spacer, Gravity Sewer
S-23	Air/Vacuum and Air Release Valve
S-24	PVC Sewer Fittings, SDR18 & SDR26
S-25	Transition Coupling
S-26	Full Circle Repair Clamp
S-27	Manholes
S-28	Flexible Manhole Connector
S-29	Manhole Adjusting Ring
S-30	Manhole Ring and Cover
S-31	Lift Station Ring and Cover
S-32	Valve Box, Sewage Force Main Connection
S-33	Ball Valve, Curb Stop
S-34	Manhole Seals
S-35	Lift Station Generator Receptacle
S-36	Hair Interceptor
S-37	Force Main Fittings
S-38	NOT ASSIGNED
S-39	Root Barrier
S-40	Sewer Service Locate Ball

REVISION DATE
04/27/15

**TABLE OF CONTENTS
SEWER SECTION (CONTINUED)**

<u>PAGE:</u>	<u>DESCRIPTION:</u>
S-41	Mechanical Joint Restrainer Gland
S-42	Tracer Wire
S-43	Tracer Wire Box

Clay County Utility Authority
 Approved Materials



Note: Push on joint shown as an example only. See plans and specifications for joint type. Must be of domestic origin and have been cast and machined in the United States.

DESCRIPTION:

Ductile Iron Pipe, asphaltic coated exterior, epoxy lined or ceramic epoxy lined, 40 mil minimum, to be used only with prior approval. Marking tape must be used in this material installation. CCUA does not permit 3" pipe in the CCUA owned and maintained utility system.

SIZE

4" and larger

MANUFACTURER

U.S. Pipe
 Clow Water Systems Co.
 American Ductile Iron Pipe
 Griffin Pipe Products

MODEL #

N/A
 N/A
 (Optional for Epoxy Lining)
 N/A
 N/A

Ductile Iron Pipe

REVISION DATE

04/03/09

ITEM

DUCTILE IRON PIPE

PAGE

S-1

Clay County Utility Authority

Approved Materials



DESCRIPTION:

Force main DR-18, (C900) 235 psi PVC, conforming to ASTM D-2241, D-3139 and F-477, color coded green (no white pipe accepted) and marked on at least 2 sides with the words “FORCE MAIN” at every 12-inches along the barrel of pipe. Couplings shall be rubber gasketed, push-on type, conforming to ASTM D-2122.

SIZE

4-inch to 36-inch

MANUFACTURER

JM Eagle Corporation
 Westlake Pipe & Fittings Corp.
 Diamond Plastics Corp.
 National Pipe & Plastics, Inc.
 Sanderson Pipe Corp.

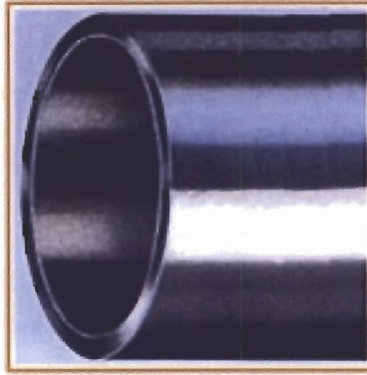
MODEL No.

N/A
 N/A
 N/A
 N/A
 N/A

Force Main PVC Pipe

Clay County Utility Authority

Approved Materials



Note: Must be of domestic origin, and must have been cast and manufactured in the United States.

DESCRIPTION:

Steel Casing Pipe, Wall thickness (as per DOT specifications), ASTM A139, maximum yield strength of 35,000 p.s.i.

SIZE

Varies

MANUFACTURER

N/A

MODEL #

N/A

Steel Casing Pipe

REVISION DATE

06/30/05

ITEM

STEEL CASING PIPE

PAGE

S-3

Clay County Utility Authority

Approved Materials



DESCRIPTION:

Gravity sewer pipe, SDR-26 PVC, conforming to ASTM D-1784, ASTM D-3034, ASTM D-2412, and ASTM D-3212.

Pipe shall be color coded green and clearly marked in 5-foot intervals or less, with manufacturer's name, nominal size, cell classification, and legend. Maximum depth of gravity sewer pipe using SDR-26 PVC, shall be less than 13-feet.

Where the depth of gravity sewer is 13-feet or greater, the pipe and fittings shall be DR-18 PVC. DR-18 shall only be used for gravity sewer main without sewer services.

Specifications for DR-18 PVC pipe shown on page S-2. Specifications for DR-18 PVC fittings shown on page S-24.

<u>SIZE</u>	<u>MANUFACTURER</u>	<u>MODEL No.</u>
4-inch and above	JM Eagle Corporation	N/A
	Westlake Pipe & Fittings Corp.	N/A
	Extrusion Technologies, Inc.	N/A
	Diamond Plastics Corp.	N/A
	Hawk Plastics Corp.	N/A
	National Pipe & Plastics, Inc.	N/A
	Sanderson Pipe Corp.	N/A

Clay County Utility Authority
Approved Materials



DESCRIPTION:

Force main PVC Sch80 pipe, as per ASTM D1785.

SIZE

2 ½-inch and smaller

MANUFACTURER

JM Eagle Corporation
Westlake Pipe & Fittings Corp.
National Pipe & Plastics, Inc.
Sanderson Pipe Corp.
Charlotte Pipe & Foundry Co.

MODEL No.

N/A
N/A
N/A
N/A
N/A

PVC Pipe 2 ½-Inch and Smaller

REVISION DATE

02/27/2025

ITEM

PVC PIPE 2 ½-INCH AND SMALLER

PAGE

S-5

Clay County Utility Authority
Approved Materials



DESCRIPTION:

Wide Range Coupling

SIZE

4" thru 12"

MANUFACTURER

Ford Meter Box Company, Inc.
Mueller Company
JCM

MODEL #

FC2W Ultra-Flex
Max-Range Coupling
Optimum Range 242

Wide Range Coupling

REVISION DATE

04/03/09

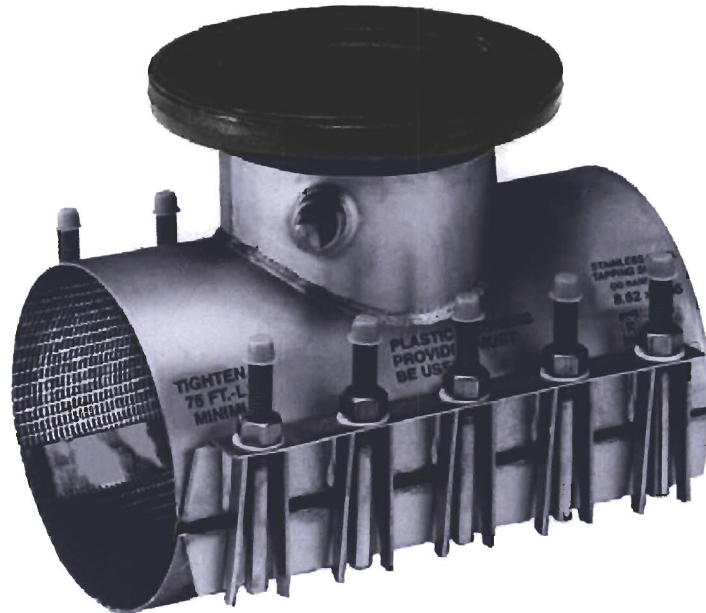
ITEM

WIDE RANGE COUPLING

PAGE

S-6

Clay County Utility Authority
Approved Materials



Note: Must be all Stainless Steel. No dissimilar metals allowed.

DESCRIPTION:

Stainless Steel Tapping Sleeve (No Dual Range)

SIZE

4" and larger

MANUFACTURER

Ford Meter Box Company, Inc.
Romac Industries, Inc.
Smith Blair, Inc.
Cascade Waterworks Mfg.
Dresser
Mueller Co.
PowerSeal Pipeline Products Corp.

MODEL #

FAST Series
SST
663 & 665
CST-EX
Style 630
H304
3490MJ

REVISION DATE

06/30/05

ITEM

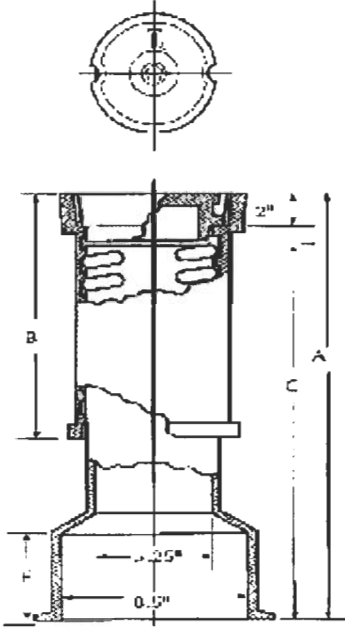
STAINLESS STEEL TAPPING SLEEVE

PAGE

S-7

Stainless Steel Tapping Sleeve

Clay County Utility Authority
 Approved Materials



Note: Must be of domestic origin and must have been cast and machined in the United States.

DESCRIPTION:

Cast Iron Screwed Valve Box and Cover, shall be non-tacky tar enamel coated, with the word "SEWER" cast into the cover.

SIZE
 N/A

MANUFACTURER
 Tyler Pipe (McWane, Inc.)
 U.S. Foundry
 Opelika Foundry (Bingham & Taylor)
 PCI Fastech
 Sigma Corp./Russell

MODEL #
 461-S
 7500
 4905 (size 18)
 N/A
 N/A

REVISION DATE
 06/30/05

ITEM
 CAST IRON VALVE BOX & COVER

PAGE
 S-8

Cast Iron Valve Box & Cover

Clay County Utility Authority
Approved Materials



Note: For Ductile Iron only.

DESCRIPTION:

Mechanical Joint Retainer Gland for Ductile Iron Pipe only.

SIZE

4" and larger

MANUFACTURER

Union Foundry Co. (McWane, Inc.)
Tyler Pipe (McWane, Inc.)
American Ductile Iron Pipe
U. S. Pipe
Star Pipe Products
Star Pipe Products
Star Pipe Products (Repairs Only)
Tyler Union
Tyler Union
Tyler Union
Ebaa Iron Inc.
Smith-Blair
Ford Meter Box Company
SIP Industries

MODEL #

N/A
N/A
N/A
N/A
Series 600 MJRGHD
Series 3000
Series 3000S
Series TGD
Series 1000
Series 1500 (Dual Wedge)
Series 1100
CAM-Lock 111
UFR 1400 Dxl
EZDP08

Ductile Iron Pipe Retainer Gland

REVISION DATE

04/27/15

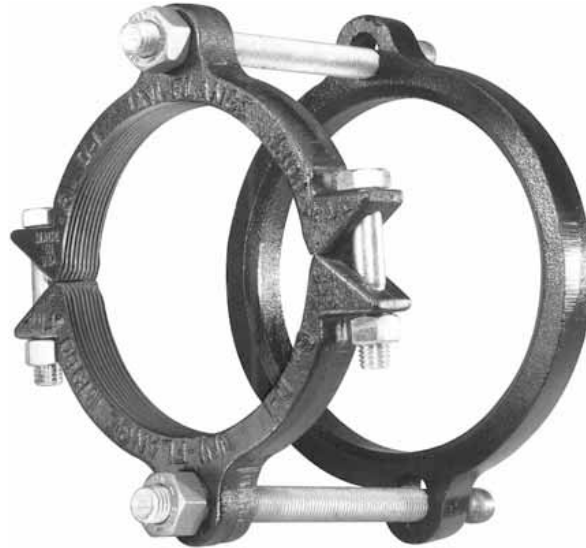
ITEM

DUCTILE IRON PIPE RETAINER GLAND

PAGE

S-9

Clay County Utility Authority
Approved Materials



DESCRIPTION:

PVC Pipe - Joint Restraining Devices.

SIZE

4" and larger

MANUFACTURER

Ford Meter Box Company, Inc.
Ford Meter Box Company, Inc.
Ford Meter Box Company, Inc.
Ebaa Iron, Inc.
Star Pipe Products
Star Pipe Products
Sigma Corporation
Ebaa Iron
Ebaa Iron
SIP

MODEL #

Uni-Flange 1300 series
Uni-Flange 1350 series
Uni-Flange 1390 series
6500 Series
1000 Series
1100 Series
PV-Lok, PVM & PVP Series
Series 6506 PF/MJ
Series 6506
PT PVC

REVISION DATE

11/13/2019

ITEM

JOINT RESTRAINING DEVICES

PAGE

S-10

Joint Restraining Devices

Clay County Utility Authority
Approved Materials



Note: Must be of domestic origin and must have been cast and machined in the United States.

DESCRIPTION:

Mechanical Joint Accessory Pack

SIZE

4" and larger

MANUFACTURER

Union Foundry Co. (McWane, Inc.)
Tyler Pipe (McWane, Inc.)
American Ductile Iron Pipe
U. S. Pipe
Star Pipe Products
NAPAC, Inc. Waterworks

MODEL #

N/A
N/A
N/A
N/A
N/A
N/A

REVISION DATE

03/02/07

ITEM

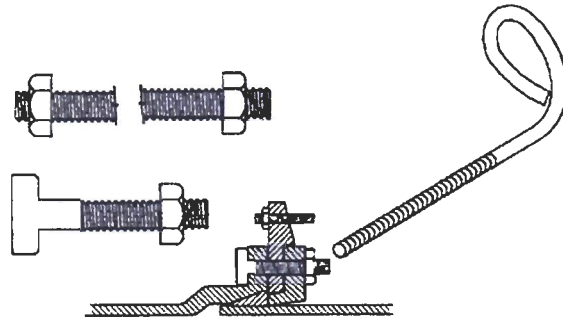
MECHANICAL JOINT ACCESSORY PACK

PAGE

S-11

Mechanical Joint Accessory Pack

Clay County Utility Authority
Approved Materials



DESCRIPTION:

Mechanical Joint Fasteners / Tie Lugs

SIZE

3/4"

MANUFACTURER

N/A

MODEL #

N/A

*See specifications for all Thread Rods, Eye Bolts, Nuts and Washers

Mechanical Joint Fasteners

REVISION DATE

06/30/05

ITEM

MECHANICAL JOINT FASTENERS

PAGE

S-12

Clay County Utility Authority
Approved Materials



DESCRIPTION:

Flange Adapters, Ductile Iron Pipe Only.

SIZE

4" and larger

MANUFACTURER

Ford Meter Box Company, Inc.
Ford Meter Box Company, Inc.
Ford Meter Box Company, Inc.
Ebba Iron, Inc.
Ebba Iron, Inc.
Star Pipe Products
Star Pipe Products
Sigma

MODEL #

Uni-Flange 200 series
Uni-Flange 400 series
Uni-Flange 900 series
1000 Series
3500 Series
200 Series
400 Series
ZF2-ZF4 Series

Flange Adaptor

REVISION DATE

08/24/15

ITEM

FLANGE ADAPTOR

PAGE

S-13

Clay County Utility Authority

Approved Materials



Note: All valves shall open by turning to the left. Mechanical Joint shown as an example only. See specifications for additional joints.

DESCRIPTION:

All gate valves including tapping valves, regardless of size shall be AWWA C-515 D.I.

Note: Any manufacturer who wishes to pour Ductile Iron into the mold of a C-509 type valve, creating a full wall D.I. valve, will be permitted to do so.

All gate valves shall be equipped with the following items: all bolts, nuts, and washers shall be stainless steel 304 or 316 grade, assembled with anti-seize compounds; the wedge shall be ductile iron; all resilient wedge material shall be EPDM rubber with the wedge fully encapsulated in a manner to prevent the rubber from separating from the metal wedge; the entire gate valve shall be fusion-bonded epoxy coated conforming to AWWA C550 and NSF 61 certified; all stems shall be stainless steel, lead free, type 304 through 430 S.S. per ASTM A276; valve shall have a 2" operating nut and open left. All gate valves 10" and larger in size shall have four bolthole slots in the upper quadrant of M.J. Flange, or supplier shall supply equivalent hardware, including eyebolts and properly shaped restraining bolts, to accomplish the same installation, as part of the gate valve cost.

SIZE

4" and larger

MANUFACTURER

American Flow Control
 American Flow Control with ALPHA™ Ends
 Mueller Company
 Mueller Company
 M&H Valve Co.
 Clow Valve Co.
 American AVK Company

MODEL #

2500 Series
 2500 Series
 2300 Series
 A-2361
 7000 Series
 2638 Series
 45 & 55 Series

REVISION DATE

11/14/2017

ITEM

RESILIENT SEATED GATE VALVE

PAGE

S-14

Resilient Seated Gate Valve

Clay County Utility Authority

Approved Materials



Note: Flange Joint shown as an example only. See specifications for additional joints.

DESCRIPTION:

Plug Valve, Actuator may be required to achieve 150 p.s.i. drip tight shut-off in both directions. Contact valve manufacturer for requirement. Valve shall open to the left.

SIZE

4" and larger

MANUFACTURER

Milliken Valve Co.
Milliken Valve Co.
Dezurik
Clow Valve Co.
Pratt (Henry Pratt Co.)
Pratt (Henry Pratt Co.)
Val-Matic Valve & Mfg. Co.
Val-Matic Valve & Mfg. Co.
VSI Waterworks
GA Industries

MODEL #

600 N (MJ)
601 N (Flg.)
Fig. 118
5400 Series
551 (MJ)
583 (Flg.)
5800RN Series (Flg.)
5900RN Series (MJ)
Series PVII/PVIF
Fig. 517 (Eco-Centric)

Plug Valve

REVISION DATE

07/18/24

ITEM

PLUG VALVE

PAGE

S-16

Clay County Utility Authority
Approved Materials



DESCRIPTION:

Cast Iron Check Valve, swing type with lever and stainless steel spring.

SIZE

4" and larger

4" thru 8"

MANUFACTURER

M & H Valve Co.

Mueller Co.

VSI Waterworks

GA Industries

American AVK Company

MODEL #

259

A2602-2-02

Series CVIX

Figure 340S

45-45

Check Valve

REVISION DATE

07/18/24

ITEM

CHECK VALVE

PAGE

S-17

Clay County Utility Authority
Approved Materials



DESCRIPTION:

Buried Check Valve, ball type

SIZE

4" and larger
2"

MANUFACTURER

Flomatic/Danfoss Socla
Flomatic/Danfoss Socla

MODEL #

408, Cast Iron
508, Cast Iron

Ball Check Valve, Below Ground

REVISION DATE

05/30/06

ITEM

BALL CHECK VALVE, BELOW GROUND

PAGE

S-18

Clay County Utility Authority

Approved Materials



DESCRIPTION:

Tapping Sleeve, stainless steel band with stainless steel threaded outlet (NPT).

SIZE

2" Only
(Sewer Force Main)

MANUFACTURER

Ford Meter Box Company, Inc.
Romac Industries
Smith-Blair, Inc.
PowerSeal Pipeline Product Corp.

MODEL #

FS313
306
372
3412 AS
3414 AS

Tapping Sleeve

REVISION DATE

03/03/15

ITEM

TAPPING SLEEVE

PAGE

S-19

Clay County Utility Authority
Approved Materials



DESCRIPTION:

All Solvent Welded Fittings, Schedule 80

SIZE

2" and smaller

MANUFACTURER

Westlake Pipe & Fittings Corporation

MODEL No.

N/A

REVISION DATE

02/27/2025

ITEM

SCH80 SOLVENT WELD FITTINGS

PAGE

S-20

SCH80 Solvent Weld Fittings

Clay County Utility Authority

Approved Materials



DESCRIPTION:

Casing Spacer, Poly or stainless steel center line type. Poly spaced at 3 L.F. maximum on center or closer, if recommended by manufacturer. Stainless steel spaced at 6 L.F. on center or closer, if recommended by manufacturer. Casing Spacer shall not be less than 1/4" or more than 1/2" from top of casing. Casing Spacer shall have 6 runners equally spaced at 60° intervals around the spacer, for pipe sizes 4" through 16". Casing Spacer shall have 8 runners equally spaced at 45° intervals around spacer, for pipe sizes 18" through 36". All spacers for pipe 36" and larger require a separate submittal for CCUA review and approval. The distance between spacers for 36" pipe and larger will be determined by CCUA, depending on the type of pipe to be installed.

SIZE

4" thru 16"
18" thru 36"
4" thru 12"
8" thru 12"
14" thru 36"
8" thru 12"
4" thru 16"

MANUFACTURER

The BWM Co.
The BWM Co.
The BWM Co.
Advanced Products & Systems, Inc.
Advanced Products & Systems, Inc.
Pipeline Seal & Insulator, Inc. (PSI)
RACI Spacers North America, Inc.

MODEL #

BWM-SS (6 Legs @ 60°)
BWM-SS (8 Legs @ 45°)
KP Poly (2 pc. w/ 6 Legs)
(Stainless Steel only)
(Poly)
(Stainless Steel only)
F/G, P/Q, M/N

Casing Spacer

REVISION DATE

04/04/06

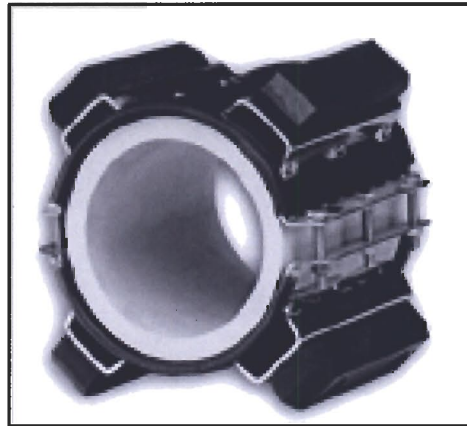
ITEM

CASING SPACER

PAGE

S-21

Clay County Utility Authority
Approved Materials



DESCRIPTION:

Casing Spacer, Stainless Steel center line type, spaced at 6 L.F. maximum on center, or closer if recommended by manufacturer. Casing Spacer shall not be less than 1/4" or more than 1/2" from top of casing. Casing Spacer shall have 6 runners equally spaced at 60° intervals around the spacer for sizes 4" through 16". Casing spacer shall have 8 runners equally spaced at 45° intervals around the spacer, for pipe sizes 18" through 36". All spacers for pipe 36" and larger require a separate submittal for CCUA review and approval. The distance between spacers for 36" pipe and larger will be determined by CCUA, depending on the type of pipe to be installed.

SIZE

4" thru 16"
18" thru 36"
8" thru 12"
8" thru 12"

MANUFACTURER

The BWM Co.
The BWM Co.
Advanced Products & Systems, Inc.
Pipeline Seal & Insulator, Inc. (PSI)

MODEL #

BWM-SS (6 Legs @ 60°)
BWM-SS (8 Legs @ 45°)
(Stainless Steel only)
(Stainless Steel only)

REVISION DATE

04/03/09

ITEM

CASING SPACER, Gravity Sewer

PAGE

S-22

Casing Spacer - Gravity Sewer

Clay County Utility Authority
Approved Materials



DESCRIPTION:

Combination Air/Vacuum and Air Release Valve

SIZE

Varies

MANUFACTURER

Val-Matic Corp.
Golden-Anderson
Crispin Valve

MODEL #

802 A

US20 SB

REVISION DATE

04/03/09

ITEM

AIR/VACUUM AND AIR RELEASE VALVE

PAGE

S-23

Air / Vacuum and Air Release Valve

Clay County Utility Authority

Approved Materials



DESCRIPTION:

PVC sewer fittings, molded type only. “Wyes” are to be “Tee-Wyes” only, unless approved by CCUA. Any sewer main 13-feet or deeper must use SDR-18 heavy wall sewer fittings and SDR-18 pipe, as described on page S-4 of the CCUA Approved Materials Manual.

SIZE (SDR-26)

6” and larger

MANUFACTURER

Harco
 JM Eagle Corporation
 GPK Products, Inc.
 Multi Fittings Corp.
 Westlake Pipe & Fittings Corp.

MODEL No.

N/A
 N/A
 N/A
 N/A
 N/A

SIZE (SDR-18)

8” and larger
 10” and larger
 6” 45° Bend
 6” Transition Coupling

MANUFACTURER

IPEX Sewer Wye
 IPEX Sewer Wye
 IPEX
 Multi Fittings Corp.

MODEL No.

COID
 Prefabricated
 COID
 C-900 x
 6” SDR-26

REVISION DATE

02/27/2025

ITEM

PVC SEWER FITTINGS SDR26

PAGE

S-24

Clay County Utility Authority

Approved Materials



Note: O.D. Ranges may vary. Refer to manufacturer's specifications.

DESCRIPTION:

Transition Coupling, stainless steel or ductile iron epoxy lined with stainless steel hardware.

SIZE

4" and larger

MANUFACTURER

Romac Industries, Inc.
Ford Meter Box Company, Inc.
Ford Meter Box Company, Inc.
Smith-Blair, Inc.
Dresser Hymax
PowerSeal Pipeline Products Corp.

MODEL #

501
FC2A
FC2W
441
262
3506-AS
(Stainless steel only)

Transition Coupling

REVISION DATE

06/30/05

ITEM

TRANSITION COUPLING

PAGE

S-25

Clay County Utility Authority

Approved Materials



DESCRIPTION:

Full Circle Repair Clamps (Stainless Steel) (No Dual Range)

SIZE

All Sizes
2" to 12"
10" and larger
All Sizes
2" to 12"
4" to 60"
2" to 12"
All Sizes

MANUFACTURER

Ford Motor Box Company, Inc.
Smith-Blair, Inc.
Smith-Blair, Inc.
Romac Industries, Inc.
JCM Industries, Inc.
JCM Industries, Inc.
Krause
PowerSeal Pipeline Products Corp.
Mueller Company

MODEL #

"F" or "FS" Series
Series 226 or 256
Series 228 or 263
"SS" or "CL" Series
101 or 131
102 or 132
E.Z. Max
3121 AS
Series 500

Full Circle Repair Clamps

Clay County Utility Authority

Approved Materials



Note: Dual bans required on manhole connector boots.

DESCRIPTION:

Manhole – See plans and specifications for sizing and installation requirements.

*Drycasting is not permitted.

SIZE

Varies

MANUFACTURER

Standard Precast
Quikrete Co./Rinker Materials
Oldcastle Precast East, Inc.
Del Zotto Products
Mack Industries, Inc.

MODEL No.

N/A
N/A
N/A
N/A
N/A

Manholes

REVISION DATE

01/07/2025

ITEM

MANHOLE

PAGE

S-27

Clay County Utility Authority
Approved Materials



DESCRIPTION:

Flexible manhole connector for precast manhole

SIZE

Varies
Varies

MANUFACTURER

Kor-N-Seal
International Precast Supply, Inc. (IPS)

MODEL #

N/A
Toggle Style

REVISION DATE

06/30/05

ITEM

FLEXIBLE MANHOLE CONNECTOR

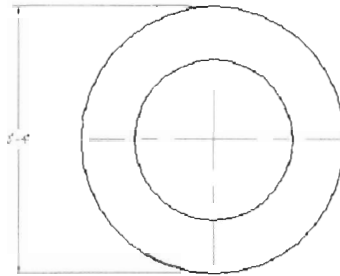
PAGE

S-28

Flexible Manhole Connector

Clay County Utility Authority

Approved Materials



DESIGN NOTES:
1 - CONCRETE 4000 PSI AT 28 DAYS.
2 - REINFORCING WITH 277" DIA STEEL ROD

DESCRIPTION:

Manhole Collar adjusting ring, concrete.

SIZE

Varies

MANUFACTURER

Precast manhole suppliers

MODEL #

N/A

REVISION DATE

04/03/09

ITEM

MANHOLE ADJUSTING RING

PAGE

S-29

Manhole Adjusting Ring

Clay County Utility Authority
 Approved Materials



DESCRIPTION:

Manhole Ring and Cover, 24" diameter.

SIZE	MANUFACTURER	MODEL #
24"	U.S. Foundry	USF 170E
24"	U.S. Foundry	USF ORS
24"	U.S. Foundry	USF EBWT
		cast iron ring & cover
24"	U.S. Foundry	USF 750KI
		ductile iron ring & cover hinged, with gasket
24"	Pamrex	RE24R8FS
		ductile iron ring & cover hinged, with gasket

Manhole Ring and Cover

Clay County Utility Authority
Approved Materials



DESCRIPTION:

Lift Station Ring and Cover.

SIZE

34³/₄"

MANUFACTURER

U.S. Foundry (only)

MODEL #

USF 1307-CR-E
cast iron ring & cover
not hinged

32"

Pamrex

MODEL #

RE32R8FS
ductile iron ring & cover
hinged, with gasket

REVISION DATE

04/03/09

ITEM

LIFT STATION RING AND COVER

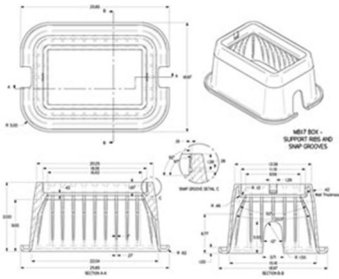
PAGE

S-31

Lift Station Ring and Cover

Clay County Utility Authority

Approved Materials



DESCRIPTION:

Rectangular cast iron valve box/meter box for grinder pump force main connections. “SEWER” identification shall be cast into the lid.

Rectangular polyethylene meter box for grinder pump force main connection. Lid for box shall be molded green with “SEWER” identification in the lid.

SIZE

- 13" x 24" x 12"
- 19" x 26" x 12"
- 21.5" x 21.5" x 14"
- 16" x 22" x 12"

MANUFACTURER

- DFW
- Southeastern Distributors, Inc.
- SIGMA
- SIGMA

MODEL No.

- DFW1324C-12
- MB-17
- RMB171814
- RMB111812

Clay County Utility Authority
Approved Materials



DESCRIPTION:

Curb Stop, Ball Valve, Full Bore Opening, Locking Wing, FIPx FIP. Valve shall open to the left.

SIZE

3/4" to 2"

MANUFACTURER

Ford Meter Box Company, Inc.
Mueller Co.

MODEL #

B11-333W to B11-777 Series
B-20200

Curb Stop, Ball Valve

REVISION DATE

04/03/09

ITEM

CURB STOP, BALL VALVE

PAGE

S-33

Clay County Utility Authority
Approved Materials



DESCRIPTION:

Manhole Seals, for repairs only, or other circumstances where a manhole boot cannot accommodate the PVC pipe connection to manhole.

SIZE

6" or Smaller
8" or Larger

MANUFACTURER

Cretex
Cretex

MODEL #

WS-25
WS-30

Manhole Seals

REVISION DATE

04/03/09

ITEM

MANHOLE SEALS

PAGE

S-34

Clay County Utility Authority
 Approved Materials



DESCRIPTION:

Lift Station generator electrical receptacle. 100 Amp shall be female end. 200 Amp shall be male end.

RECEPTACLE

AMPS

100 Amps
 100 Amps
 200 Amps
 200 Amps

MANUFACTURER

Appleton Electric
 Crouse-Hinds
 Appleton Electric
 Crouse-Hinds

MODEL #

ACR-1034
 AR-1042
 ACR-20034RS
 AR-2042S22

ANGLE ADAPTOR

AMPS

100
 200

MANUFACTURER

Crouse-Hinds or Appleton Electric
 Crouse-Hinds or Appleton Electric
 (NO SUBSTITUTIONS ALLOWED)

MODEL #

AJA-100
 AJA-200

REVISION DATE

06/30/05

ITEM

LIFT STATION
 GENERATOR RECEPTACLE

PAGE

S-35

Lift Station Generator Receptacle

Clay County Utility Authority
Approved Materials



DESCRIPTION:
Hair Interceptor

SIZE
70 GPM

MANUFACTURER
Josam Co.

MODEL #
61805

REVISION DATE
06/30/05

ITEM
HAIR INTERCEPTOR

PAGE
S-36

Hair Interceptor

Clay County Utility Authority

Approved Materials



Note: Mechanical Joint Cross shown as an example only.

DESCRIPTION:

Fittings shall be C110 Ductile Iron or gray Cast Iron, epoxy lined or ceramic epoxy lined. Epoxy lining material shall be Protecto 401, manufactured by Custom Fab. Ceramic epoxy lining material shall be SP2000W, manufactured by Fast Industries, Inc. All lining shall be a minimum of 40 mils thickness and shall cover the entire surface which will be in contact with liquids.

SIZE

4" and larger

MANUFACTURER

Union Foundry Corp. (McWane, Inc.)
Tyler Pipe (McWane, Inc.)
American Cast Iron Pipe Co.
U.S. Pipe
Star Pipe Products
NAPAC, Inc. Waterworks
NACIP, Inc.
SIP Industries
Sigma

MODEL #

N/A
N/A
N/A
N/A
N/A
N/A
N/A
N/A
N/A

Force Main Fittings

REVISION DATE

08/24/15

ITEM

FORCE MAIN FITTINGS

PAGE

S-37

Clay County Utility Authority
Approved Materials

UNASSIGNED - Intentionally Left Blank

DESCRIPTION:

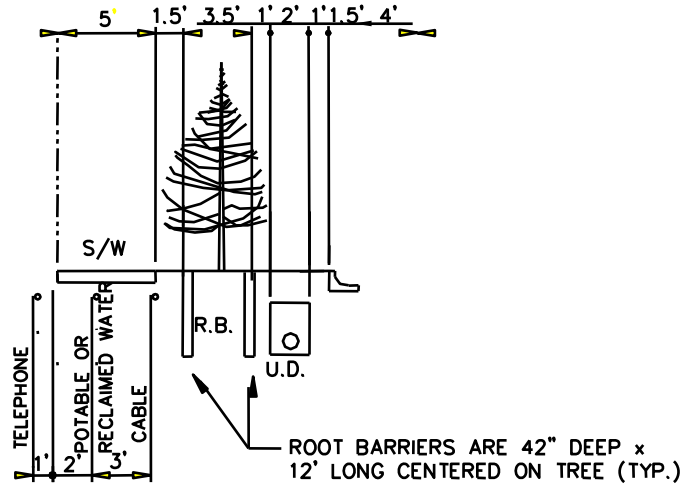
SIZE

MANUFACTURER

MODEL #

Clay County Utility Authority

Approved Materials



DESCRIPTION:

Extruded sheets or panels with integral male/female sliding lock connection ends. Material shall be HDPE with a minimum thickness of 60 mil, and shall be ribbed. Root barrier shall extend to a minimum depth of 42" below finish grade. The root barrier shall be a minimum of 12' long, centered on the tree and parallel to the utility main or service line being protected, unless shown otherwise on the plans. Root barrier shall be installed at any tree planted in a CCUA utility easement, or any tree planted within 7.5' of all CCUA utility mains or services. No trees shall be planted in a CCUA utility easement without the approval of CCUA. No trees shall be closer than 5' to any CCUA utility line or services.

SIZE
N/A

MANUFACTURER
N/A

MODEL #
N/A

Root Barrier

Clay County Utility Authority
Approved Materials



DESCRIPTION:

Electronic Marker Sewer Service Locate Ball. Sewer service shall be equipped with an electronic locate ball. Locate ball shall be buried directly over the end of the service with the ball being 3' below finish grade.

SIZE

N/A

MANUFACTURER

3M Corporation

MODEL #

EMS1404
Sanitary XR
OmniMaker-162

N/A

GreenLee

Sewer Service Locate Ball

REVISION DATE

04/27/15

ITEM

Sewer Service Locate Ball

PAGE

S-40

Clay County Utility Authority
Approved Materials



DESCRIPTION:

Mechanical Joint Restrainer Gland. For PVC pipe only.

SIZE

4" through 24"

MANUFACTURER

Ford Meter Box Company
Ford Meter Box Company
Ford Meter Box Company
Star Pipe Products
Ebaa Iron, Inc.
Tyler Union
Tyler Union
Tyler Union
Smith & Blair
SIP Industries

MODEL #

Uni-Flange Series 1500 S (IPS)
Uni-Flange Series 1500 C (PVC)
UFR1500 (PVC)
Series 4000
Series 2000 (PV)
Series 1500 (Dual Wedge)
Series 2000
Series 3000
Cam-Lock 120
EZPVCP08

REVISION DATE

04/27/15

ITEM

MECHANICAL JOINT RESTRAINER GLAND

PAGE

S-41

Mechanical Joint Restrainer Gland

Clay County Utility Authority

Approved Materials



Tracer Wire

DESCRIPTION:

Tracer wire for Horizontal Directional Drilling Installation shall be a 8 gauge solid, Pro-Trace HD-CCS PE45. Tracer Wire shall be copper clad steel conductor with a minimum break load of 2,150 lbs (or 165,800 psi) and shall be extruded with a 45 mil. HDPE coating. The coating shall be of the proper color to meet the APWA color code of the buried utility line. Tracer wire shall meet the specs as that of Pro-Line Safety Products. 8 AWG Solid Pro-Trace HD CCS PE45, Hard Drawn, 21% IACS conductivity, copper clad steel, break load of 2,150 LBS, 45 Mil HDPE coating, 30 Volts and ROHS compliant, Pro-Trace or approved equal.

Tracer wire for open-trench direct bury shall be a 10 gauge solid, Pro-Trace HF-CCS PE30. Tracer wire shall meet the specs as that of Pro-line SafetyProducts. 10 AWG Solid Pro-Trace HF-CCS PE30, consist of a dead soft annealed, 21%IACS conductivity, copper clad steel conductor, break load of 448 LBS (or 55,000 PSI), with a 30 mil HDPE coating, 30 volts and ROHS compliant, the coating shall be of the proper color to meet the APWA color code of the buried utility line, Pro-Trace or approved equal.

<u>SIZE</u>	<u>MANUFACTURER</u>	<u>MODEL #</u>
<u>DIRECTIONAL DRILLING ONLY</u>		
8 Gauge	Pro-Line Safety Products	HD-CCS PE 45
8 Gauge	Copperhead	845-EHS
<u>DIRECT BURY ONLY (NON-HORIZONTAL DIRECTIONAL DRILLING)</u>		
10 Gauge	Pro-line SafetyProducts	HF-CCS PE 30
10 Gauge	Copperhead	1030 SF
<u>REVISION DATE</u>	<u>ITEM</u>	<u>PAGE</u>
01/30/15	TRACER WIRE	S-42

Clay County Utility Authority

Approved Materials



DESCRIPTION:

Tracer Wire Box shall be designed to be easily detected by magnetic and electronic locators even when box is covered by a minimum of four (4) inches of soil, sod and / or paving material.

* Where utility mains are to be installed beneath sidewalk, Tyler Union (461-S) valve boxes shall be installed instead of locate wire boxes.

SIZE

MANUFACTURER

MODEL #

Copperhead
Sigma Corp./Russell

Snake Pit
Rome 1910
Box MB282T
Lid MB2821T
461S

Tyler Union

Tracer Wire Box

REVISION DATE

04/27/15

ITEM

TRACER WIRE BOX

PAGE

S-43